



LAMPORTS FILTER MEDIA, INC.

Phone (216) 881-2050 Email info@lamports.com

Pressure Leaf Filter Measurements

Please fill out leaf filter measurements and/or leaf bag measurements so that we can provide you a competitive, dependable quotation.
For more complicated leaf filters, please provide a drawing with dimensions.

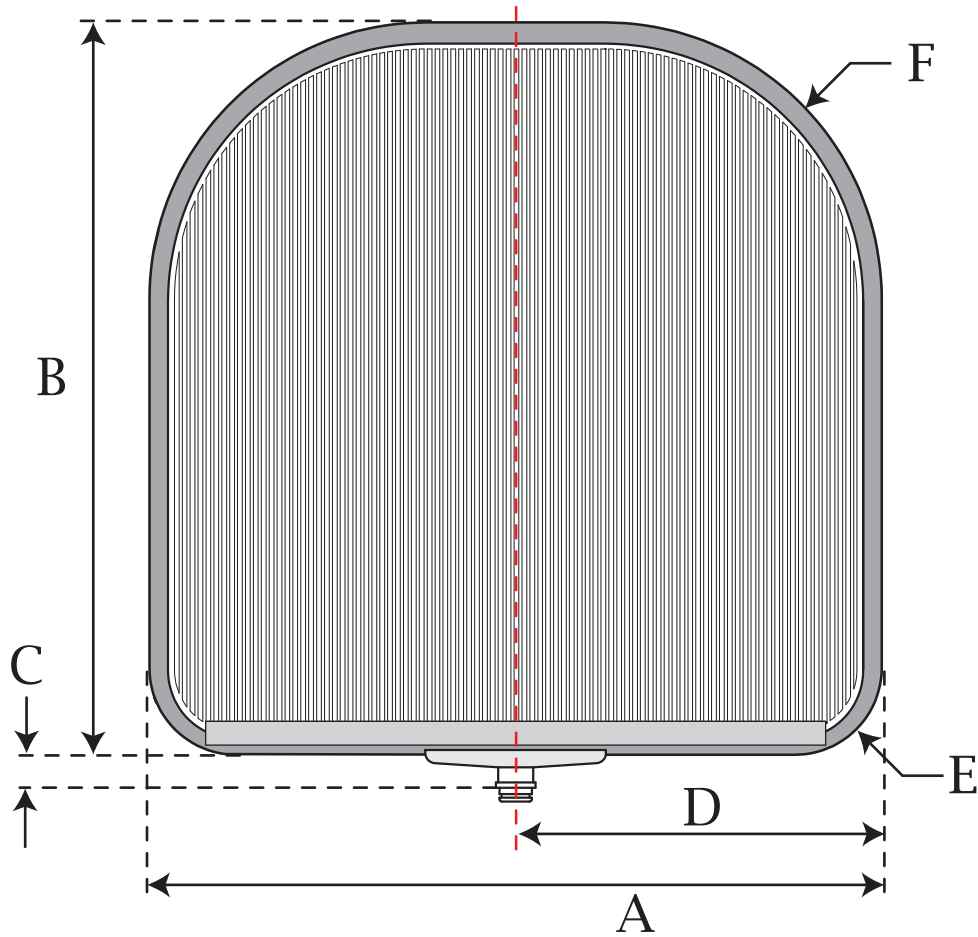
Dimensions

A _____ Leaf Width
 Sets of Leaf Width (if applicable)
 # of Sets _____ Widths _____

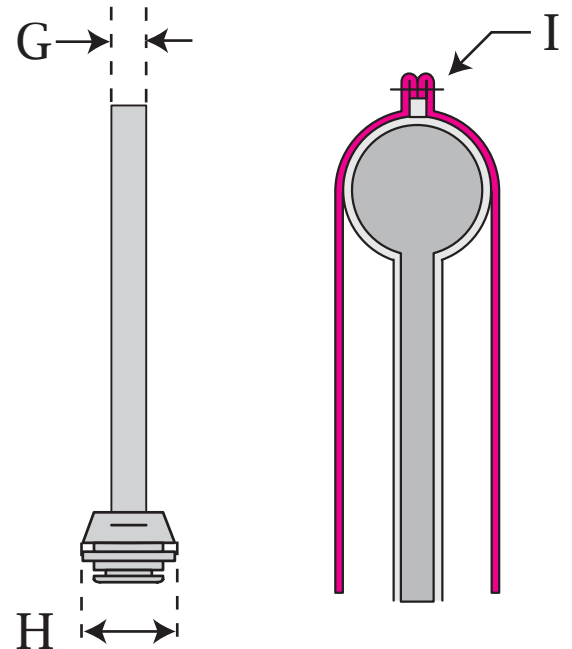
B _____ Leaf Length
 C _____ Nozzle Length
 D _____ Nozzle Distance from Side
 E _____ Radius of Leaf
 F _____ Radius of Leaf
 G _____ Thickness of Leaf
 H _____ Nozzle Diameter
 I Velcro or Sewn Closure

Specifications:

Front View



Side View





LAMPORTS FILTER MEDIA, INC.

Phone (216) 881-2050 Email info@lamports.com

Pressure Leaf Bag Measurements

Please refer to this guide to provide us with accurate measurements, so that we can provide you a competitive, dependable quotation.

Dimensions

A Schedule of Widths

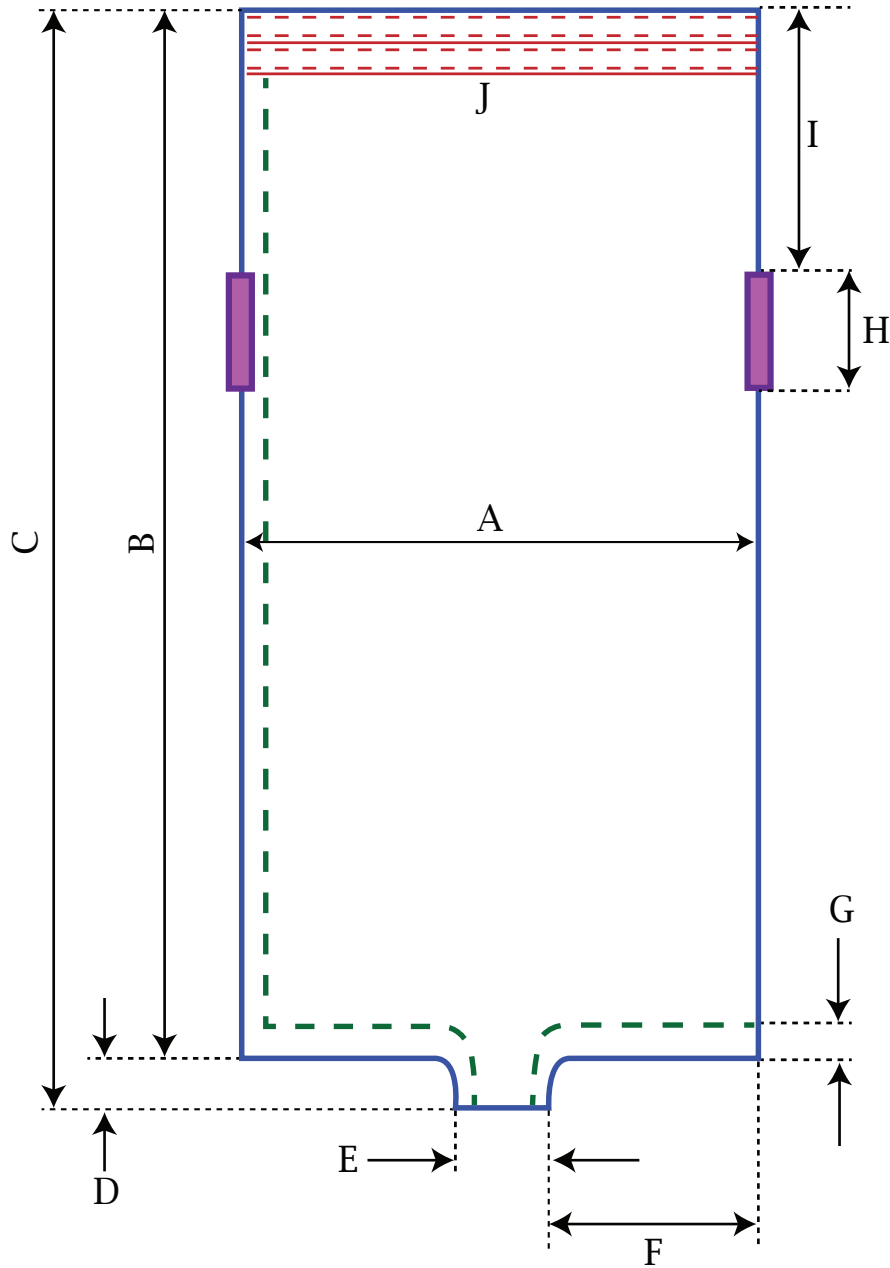
# of Bags	Widths (inches)
_____	_____
_____	_____
_____	_____
_____	_____

- B _____ Main Length
- C _____ Total Length with Neck
- D _____ Neck Length
- E _____ Neck Width
- F _____ Neck Distance from Side
- G _____ Seam Width
- H _____ Patch Length
- I _____ Patch Distance from Top
- J Yes / No Velcro Closure
- K _____ Thickness of Leaf Plate

Corner Type

Please Circle

- L  _____ Radius
- L  _____ Radius



Specifications:

Additional Info

_____ Bags per Set

_____ Yardage Required

_____ Minimum Fabric Width

_____ Micron Rating

_____ CFM Rating

_____ Type of Fabric